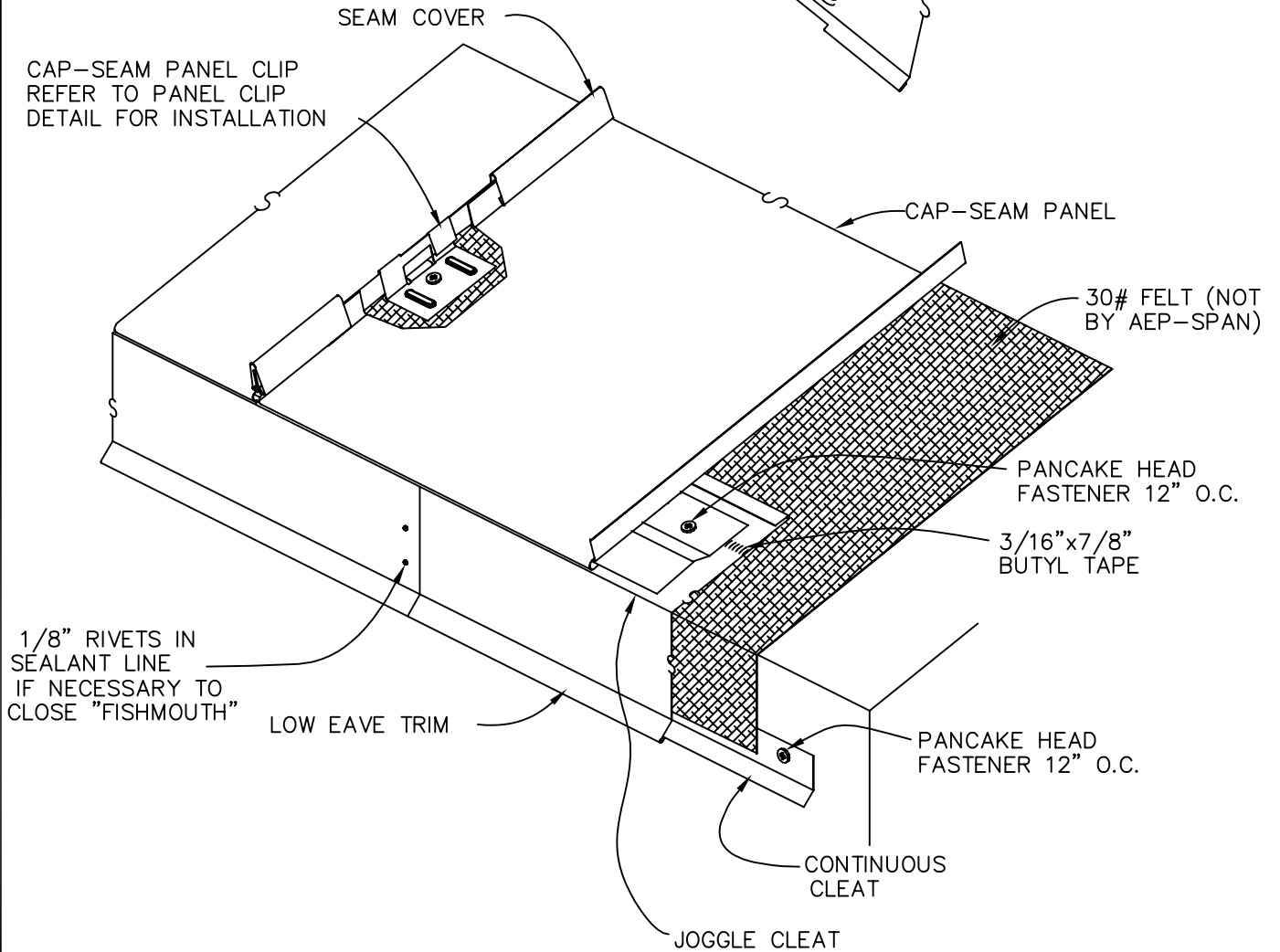
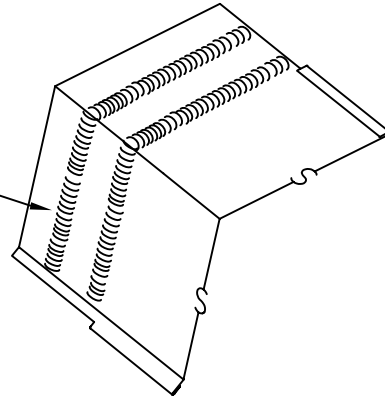
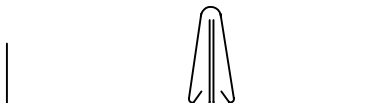


FIELD NOTCH HEMS OF JOINING EAVE TRIM
 3" LONG AND 1/8" WIDE AT SPLICE. APPLY (2)
 3/8" BEADS OF NON-SKINNING BUTYL SEALANT
 TO TOPSIDE OF JOINING EAVE TRIM
 BEFORE ENGAGING



CAP-SEAM



EAVE

CS3D7