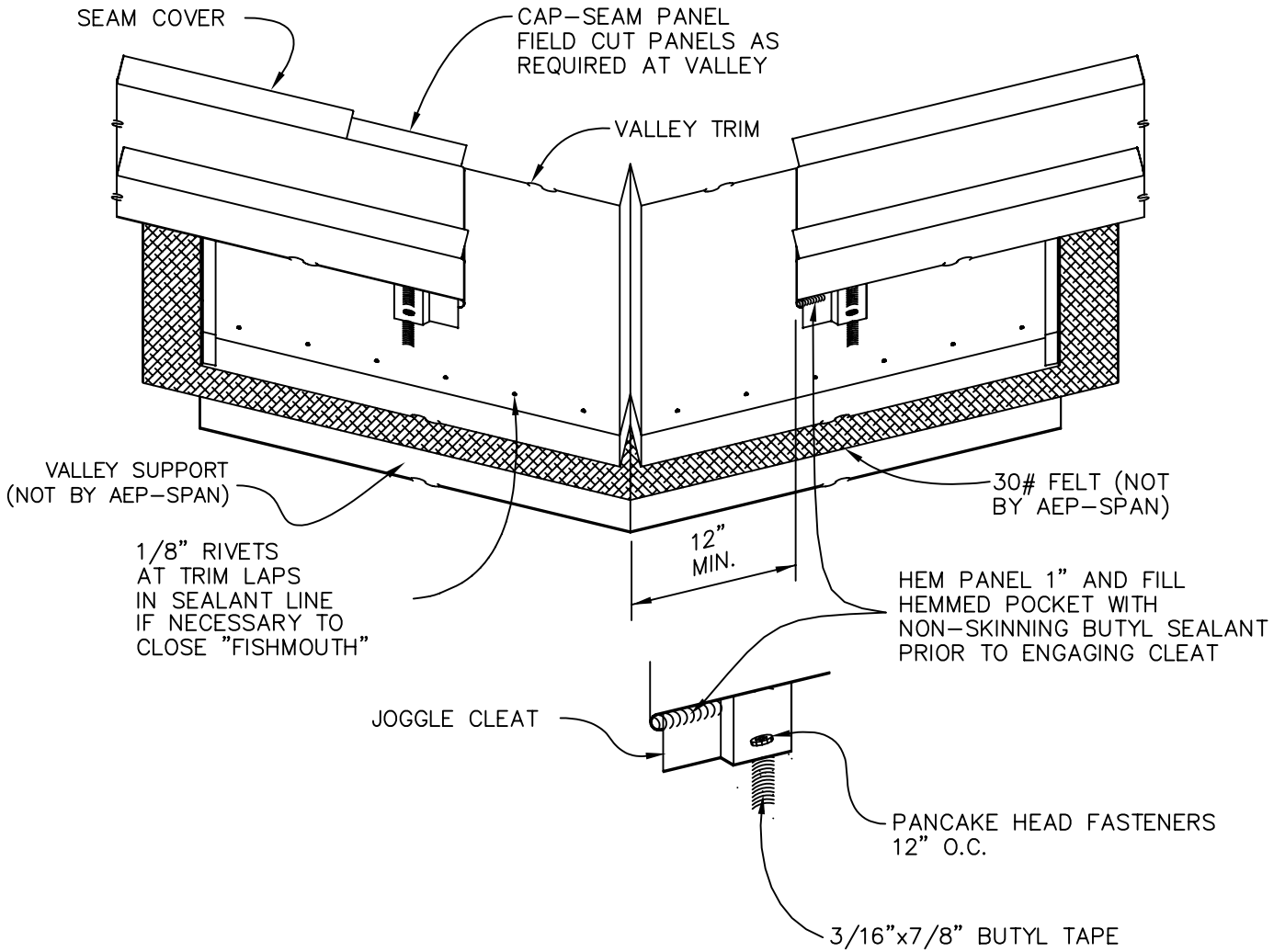
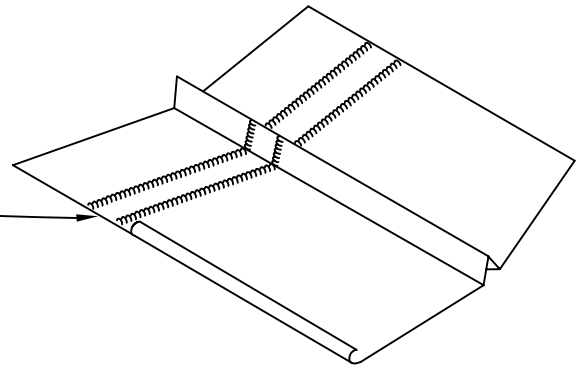
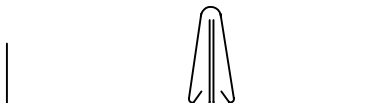


FIELD NOTCH HEMS OF BOTTOM VALLEY TRIM
 9" LONG AND 1/8" WIDE AT LAP. APPLY (2)
 3/8" BEADS OF NON-SKINNING BUTYL SEALANT
 TO LOWER END OF LAP
 BEFORE ENGAGING



CAP-SEAM



VALLEY

CS3D14